

Hiab Multilift

# XR Power range hooklifts

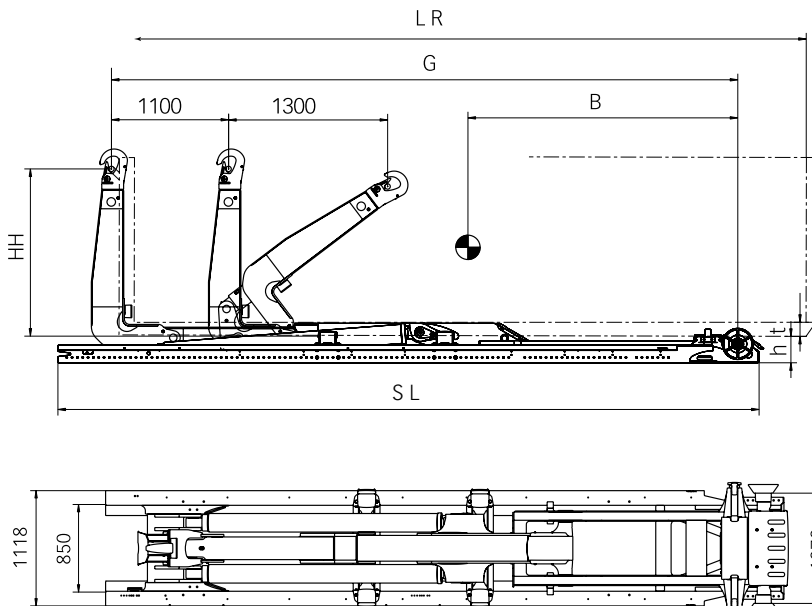


**TECHNICAL INFORMATION**

# XR26Z

## TECHNICAL DATA

TYPE	XR26Z					
VEHICLE TYPE	4 assi					
GVW OF THE VEHICLE (t)	32					
CAPACITY (t)	26					
G-LENGTH	51	53	56	59	61	65
SYSTEM WEIGHT (kg) *	2720	2750	2800	2840	2870	2950
TIPPING ANGLE (°)	53	49	49	52	49	48
MAX. OPERATING PRESSURE (MPa)	30					
RECOMMENDED MAX. OIL FLOW (l/min)	100 (speciale 150)					

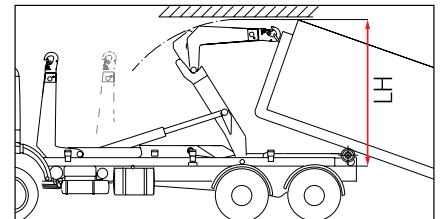


\* Weight includes hydraulic body locking and excludes oil tank and oil

\*\* The subframe length (SL) can be reduced to achieve a final installation length. The minimum installation length depends upon country and control valve position. For an exact installation length dimension please contact your local Hiab Multilift dealer.

Hiab Multilift equipments meet the demands set forth in the EU Machine Directive and they are CE marked.

We reserve the rights for modifications. Illustrations do not always show an equipment in standard version.



## PRIMARY DIMENSIONS

MODEL	XR26Z.51	XR26Z.53	XR26Z.56	XR26Z.59	XR26Z.61	XR26Z.65
LR = BODY LENGTH (m) min - max	3,2 - 6,1	3,5 - 6,3	3,8 - 6,6	4,0 - 6,9	4,3 - 7,1	4,6 - 7,4
SL = SUBFRAME LENGTH (mm) **	5753	5983	6283	6583	6783	7133
B = CENTRE OF GRAVITY (mm)	2800	2950	3150	3350	3500	3630
G = EXACT G-LENGTH (mm)	5080	5310	5610	5880	6110	6430
LH = MIN. OPERATING HEIGHT (mm)	2720	2720	2800	3066	3066	3215
t = MIN. FREE TUNNEL HEIGHT (body) (mm)	125 (special 105)					
h = INSTALLATION HEIGHT (mm)	250 (special 270)					
HH = HOOK HEIGHT (mm) ***	1570					

Cargotec improves the efficiency of cargo flows on land and at sea – wherever cargo is on the move. Cargotec's daughter brands Hiab, Kalmar and MacGregor are recognised leaders in cargo and load handling solutions around the world. Cargotec's global network is positioned close to customers and offers extensive services that ensure the continuous, reliable and sustainable performance of equipment. [www.cargotec.com](http://www.cargotec.com)



**Cargotec Finland Oy**  
 Nesteentie 36, P.O.Box 39  
 FI-21201 Raisio, Finland  
 tel. +358 204 55 2399  
 fax +358 204 55 2231  
[www.hiab.com](http://www.hiab.com)