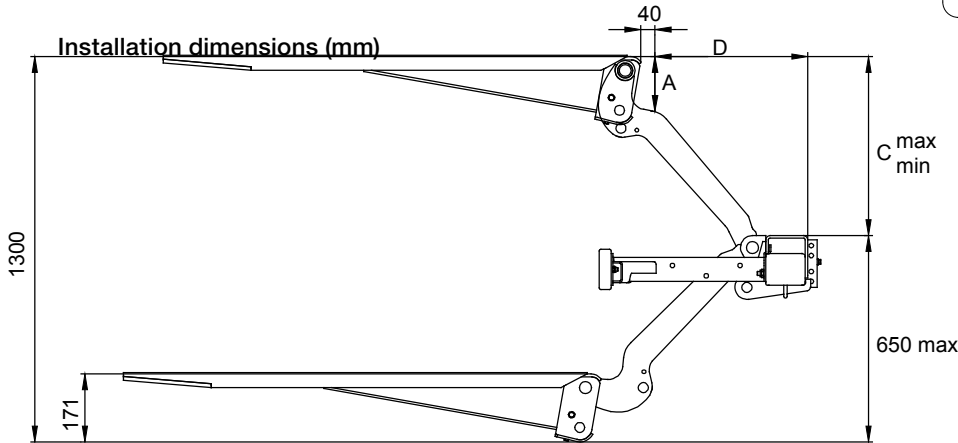
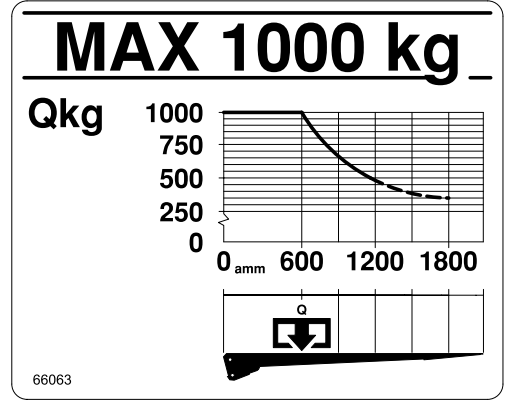


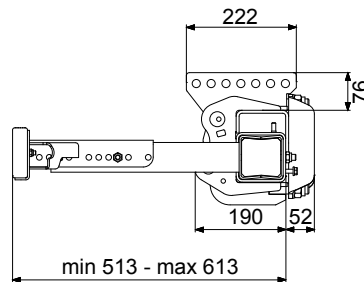
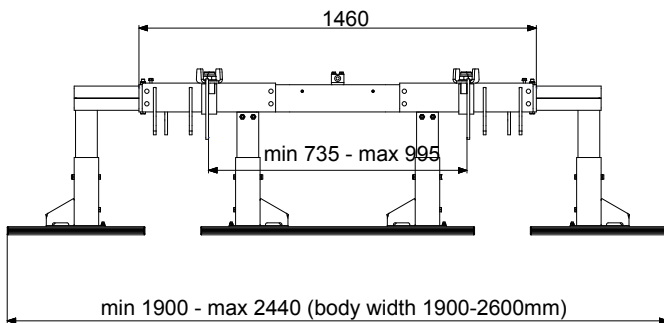
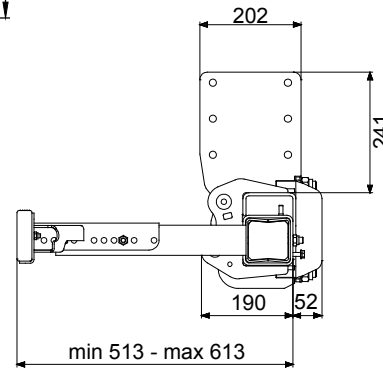
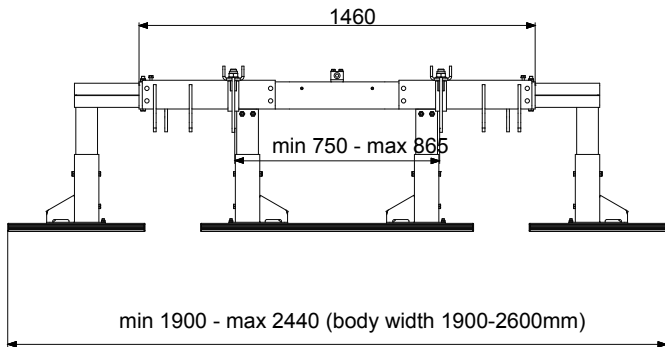
ZEPRO Z 100-130

(200 bar)		12 volt	24 volt
Pump – Motor Unit		200 A	90 A
Magnet (hydraulic unit)		1,5 A	0,75 A
Magnet (electric safety valve)		1,5 A	0,75 A
Solenoid		1,8 A	0,9 A
Cable area	Control cable	1,5 mm ²	1,5 mm ²
	Main cable 0-8 m	35 mm ²	35 mm ²
	Main cable 8-15 m	50 mm ²	35 mm ²
	Main cable >15 m	-	35 mm ²
Power source	Min. capacity	140 Ah	110 Ah
	Min. voltage	9 volt	18 volt

Loading diagram



C	A	D
650	148	519
600	136	581
550	127	633
500	120	676
450	114	712
400	110	743
350	106	767



2017-05-02

ZEPRO Sales

Tel.: +46 (0)150 489 550

Fax: +46 (0)150 489 551, +46 (0)150 489 566

E-mail: zepro@zepro.com | zepro.com

